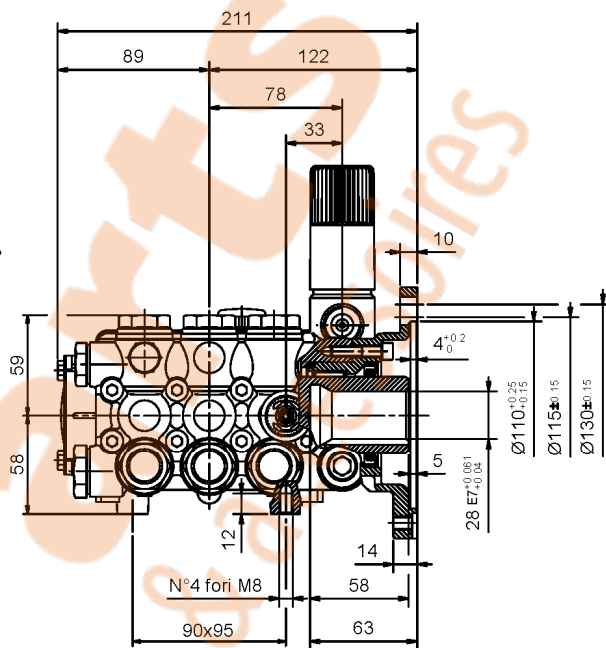
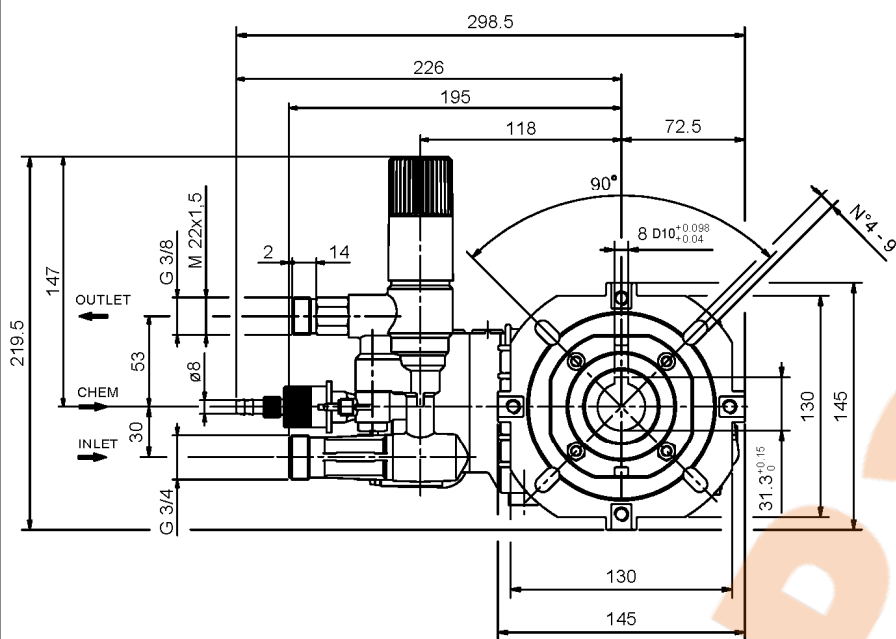


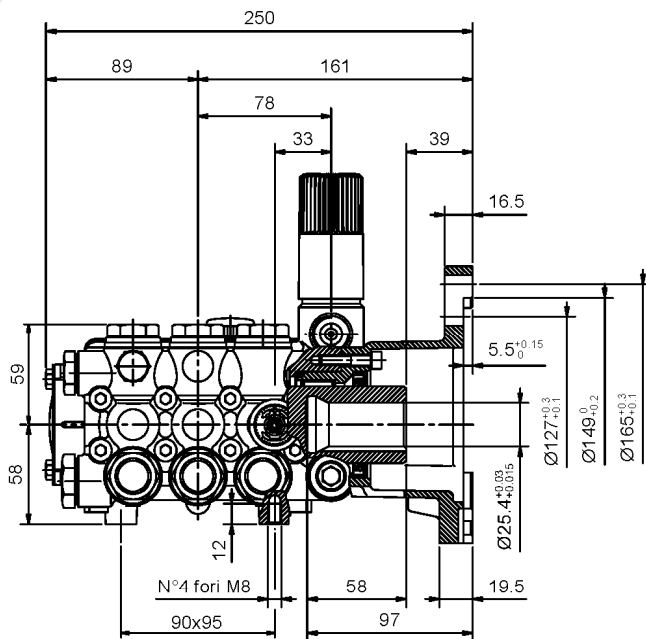
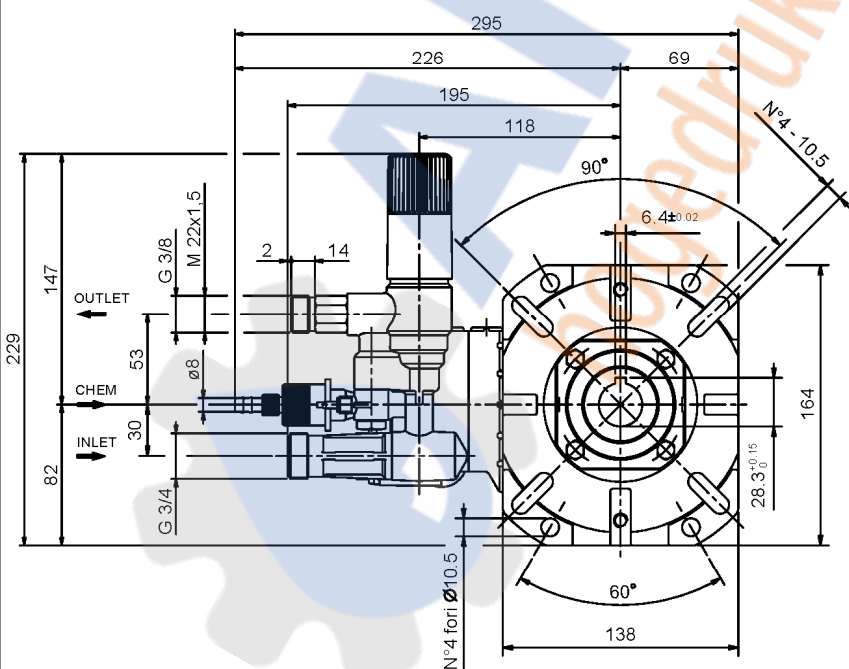
**DIMENSIONI D'INGOMBRO – OVERALL DIMENSIONS – DIMENSIONS D'ENCOMBREMENT
RAUMBEDARF – DIMENSIONES TOTALES – DIMENSÕES**



**W97 – W112 – W124
W130 – W130HH
W140 – W140HH
W150 – W154 - W154HH
W170 – WW116
WW136 – WW156 - WW176
WW186 – WW206 – WW209**

COD. DIS. 44.2155.00

B – VH VALVE



**WW960 – WW961
WW962 – WW963
WW964 – WW965**

COD. DIS. 44.2156.00

C – VH VALVE